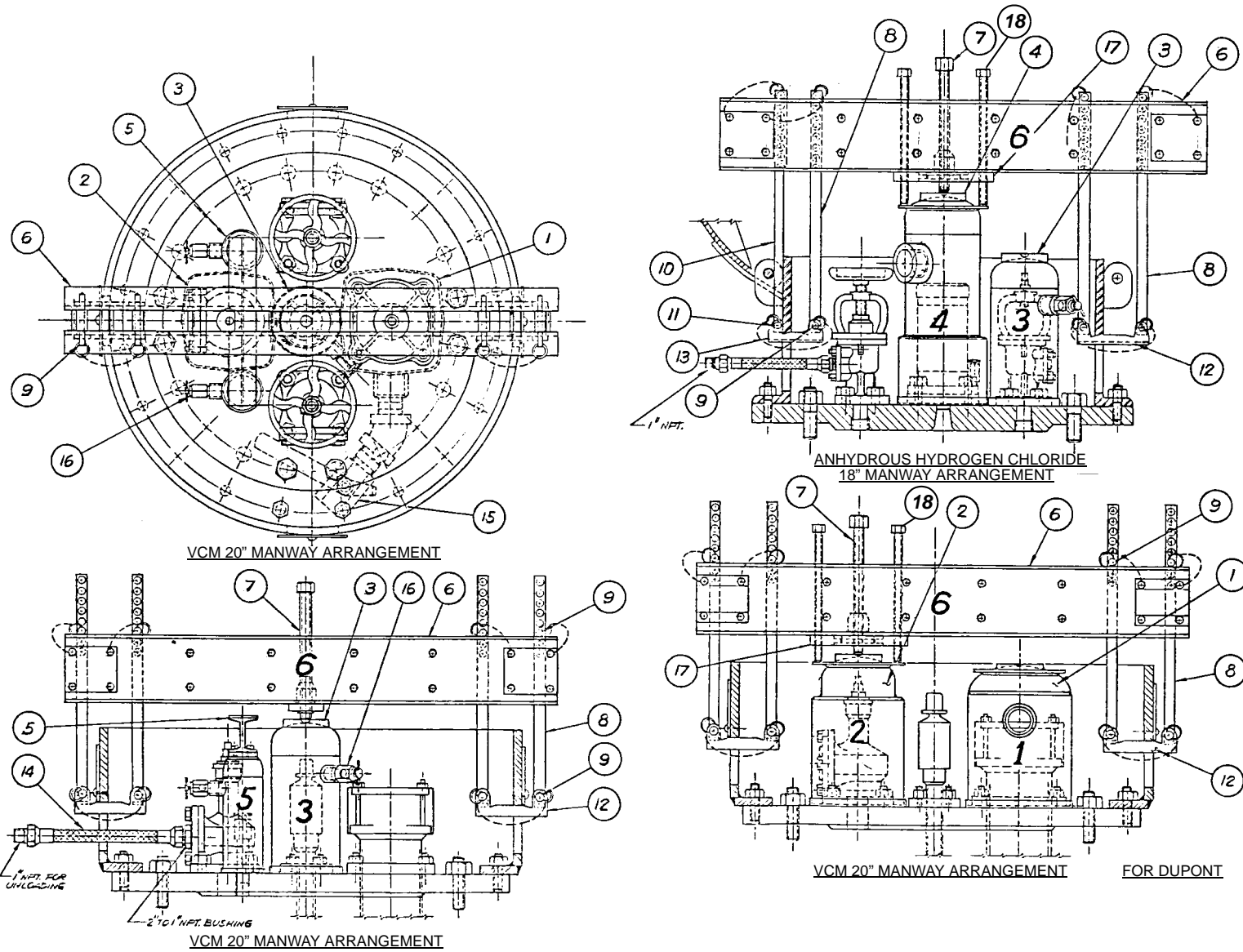


MISCELLANEOUS
EMERGENCY RESPONSE KIT

© 2002 Midland Manufacturing Corp.

All designs subject to change without notice. Installation dimensions and mounting arrangements are for general information. Certified drawings are available upon request.



TO PLACE AN ORDER, OR JUST ASK A QUESTION, CALL (847) 677 - 0333 OR FAX (847) 677 - 0138

REVISION 4.0

11/21/00

ITEM	QTY. IN KIT	BILL OF MATERIAL		
		PART NAME	MATERIAL	PART NUMBER
1	1	LARGE PRESSURE RELIEF VALVE COVER	STEEL	240-1-CS
2	1	2" ANGLE VALVE COVER	STEEL	240-2-CS
3	1	GAGING DEVICE/1" ANGLE VALVE COVER	STEEL	240-3-CS
4	1	SMALL PRESSURE RELIEF VALVE COVER	STEEL	243-4-CS
5	1	SAMPLE VALVE COVER & BEAM ASSEMBLY	ALUM./STEEL	240-5-XL
6	1	CROSS ARM CHANNEL ASSEMBLY	ALUM.	240-6-AL
7	1	SCREW & BLOCK ASSEMBLY	STEEL	240-7-CS
8	4	TIE BAR	ALUM.	240-81-AL
9	8	TIE BAR PIN 5/8"	STEEL	240-9-CS
10	1	THIN TIE BAR	ALUM.	243-10-AL
11	1	TIE BAR PIN 7/16"	STEEL	240-11-CS
12	2	PORTHOLE BRACKET	STEEL	240-12-CS
13				
14	1	FLEXIBLE HOSE	CS, TFE, SS	240-195-XS
15	1	2" BALL VALVE	STEEL	
16	1	3/4" NEEDLE VALVE	STAINLESS	A-256-SS
17	1	JACK PLATE	STEEL	243-49-CS
18	4	JACK SCREW	STEEL	243-491-CS